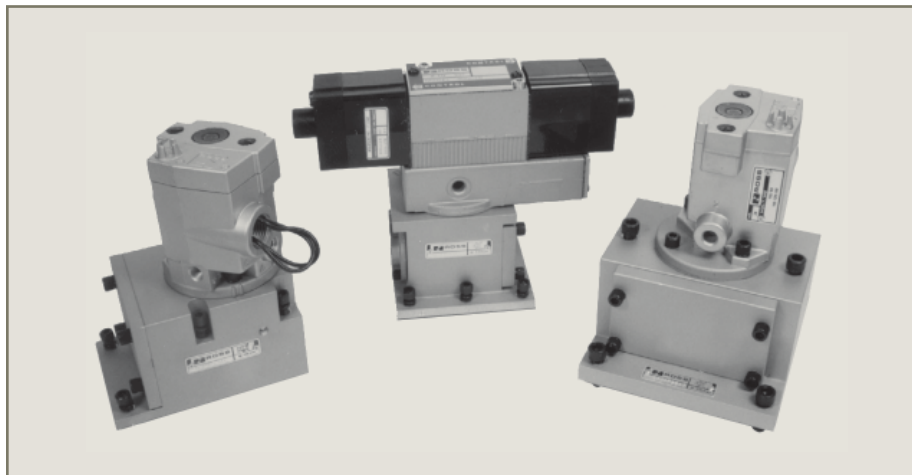


# PRODUCT INFORMATION



## Series 1700 Skyline Replacement Valves



The Series 1700 Skyline Valve has proven itself to be one of the most durable, lasting performers in the history of the pneumatics industry. Now ROSS gives users the opportunity to continue the tradition of superior performance and industrial strength by offering the Series 1700 Skyline Replacement Valve.

### Series 1700 Skyline Replacement Valve Features

- Durable base-mounted valve with proven record of excellence
- Mounts directly onto existing Skyline valve bases and manifolds without need for adaptor plates
- Series 2100 Type “O” internals which withstand temperatures as low as -40°F
- Classic ROSS poppet design which handles even the dirtiest environments
- Rugged ROSS reliability
- Readily accepts all ROSS LOGICAIR® adaptors

*Note: New bases and manifolds not available.*



#### STANDARD SPECIFICATIONS:

**Solenoid:** Rated for continuous duty.

**Standard Voltages:** 100-110 volts 50 Hz; 100-120 volts 60 Hz; 24 volts DC; 110 volts DC.

#### Power Consumption:

Single Solenoid – 87 VA inrush, 30 VA holding on 50 or 60 Hz; 14 watts on DC.

Double Solenoid – Each solenoid; 190 VA inrush, 40 VA holding on 50 or 60 Hz; 20 watts on DC.

**Ambient Temperature:** -40° to 120°F (-40° to 50°C).

**Media Temperature:** -40° to 175°F (-40° to 80°C). For temperatures below 40°F (4°C) air must be free of water vapor to prevent formation of ice.

**Flow Media:** Filtered air, 5 micron recommended.

**Inlet Pressure:** 30 to 150 psig (2 to 10 bar).

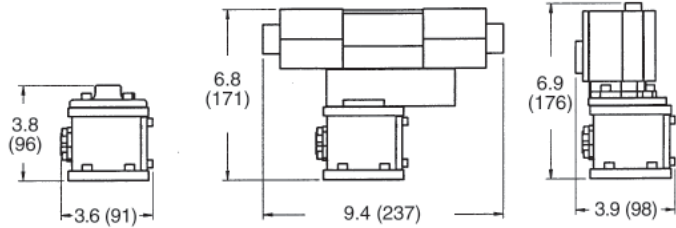
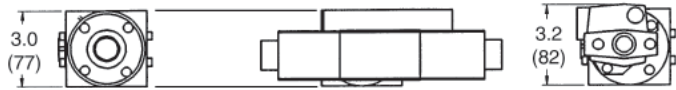
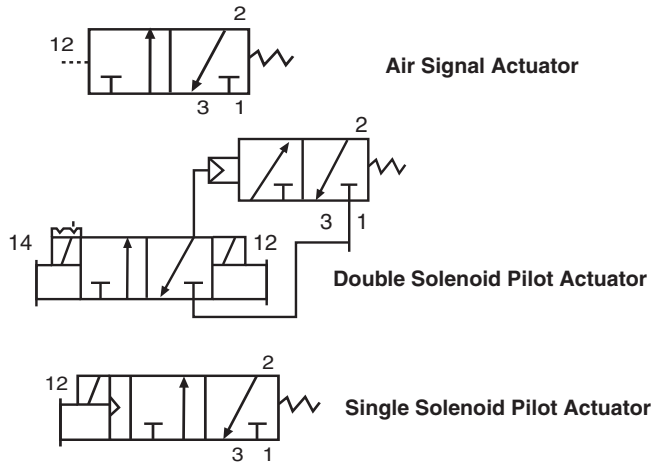
**Pilot Pressure:** If external pilot supply is used, pressure must be equal to or greater than inlet pressure.



# Series 1700 Skyline Replacement Valves

## 3/2 Valves - Small, Normally Closed

Dimensions inches (mm)

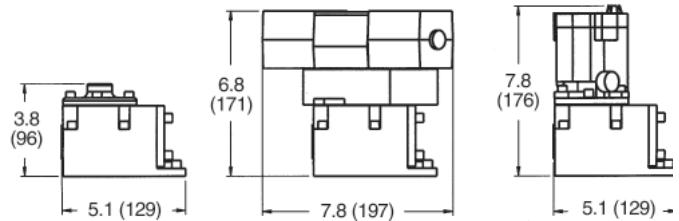
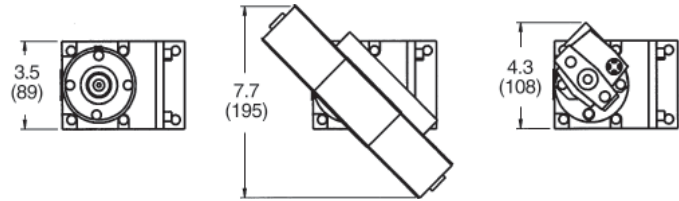
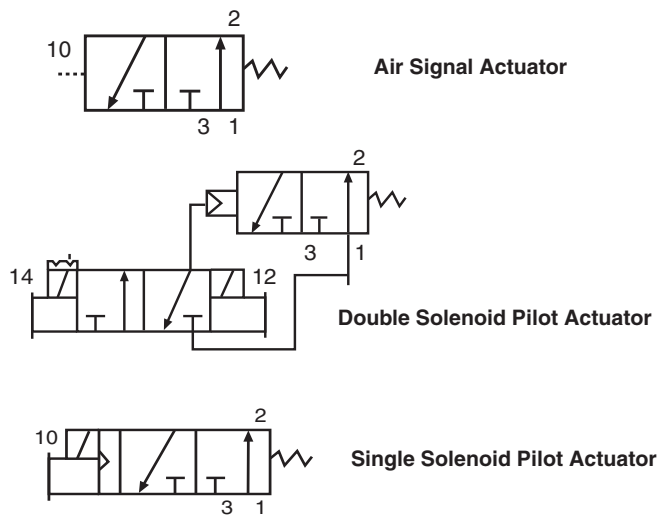


**Air Signal Actuator**  
1753F3304

**Double Solenoid Pilot Actuator**  
1773F3311

**Single Solenoid Pilot Actuator**  
1773F3307

## 3/2 Valves - Midsize, Normally Open

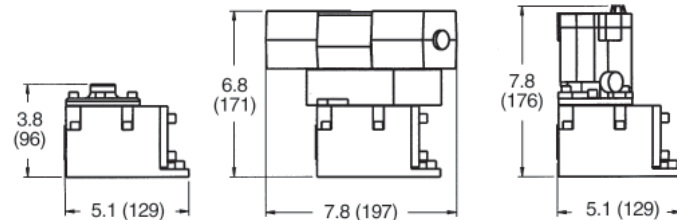
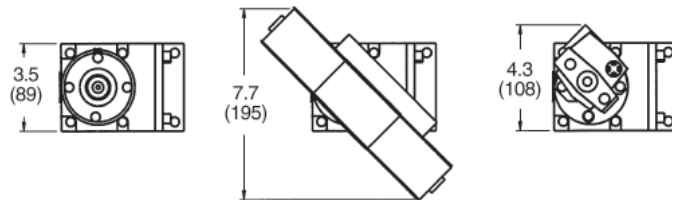
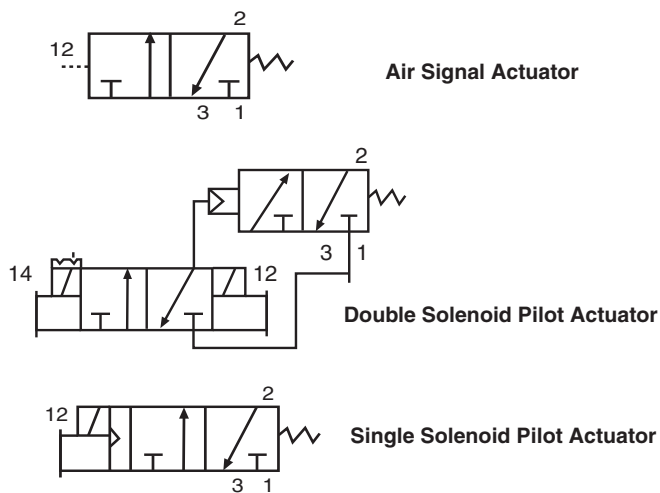


**Air Signal Actuator**  
1754F5304

**Double Solenoid Pilot Actuator**  
1774F5311

**Single Solenoid Pilot Actuator**  
1774F5307

## 3/2 Valves - Midsize, Normally Closed



**Air Signal Actuator**  
1753F5304

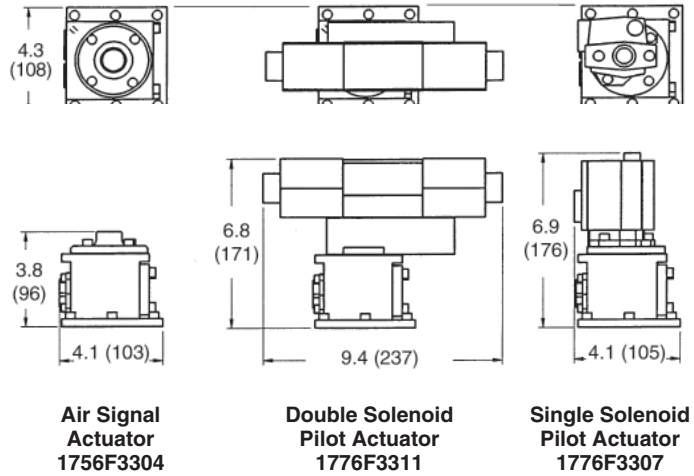
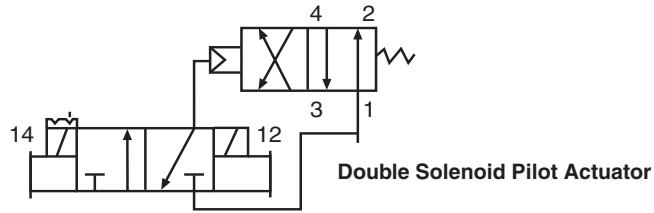
**Double Solenoid Pilot Actuator**  
1773F5311

**Single Solenoid Pilot Actuator**  
1773F5307

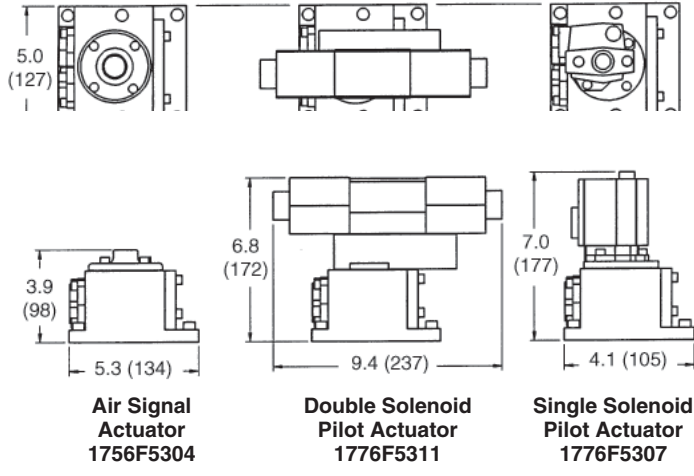
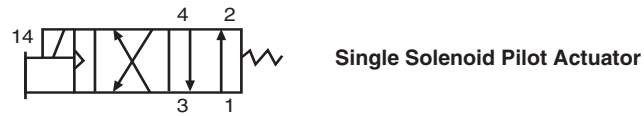
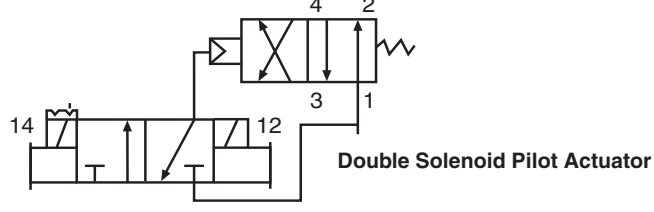
# Series 1700 Skyline Replacement Valves

## 4/2 Valves - Small

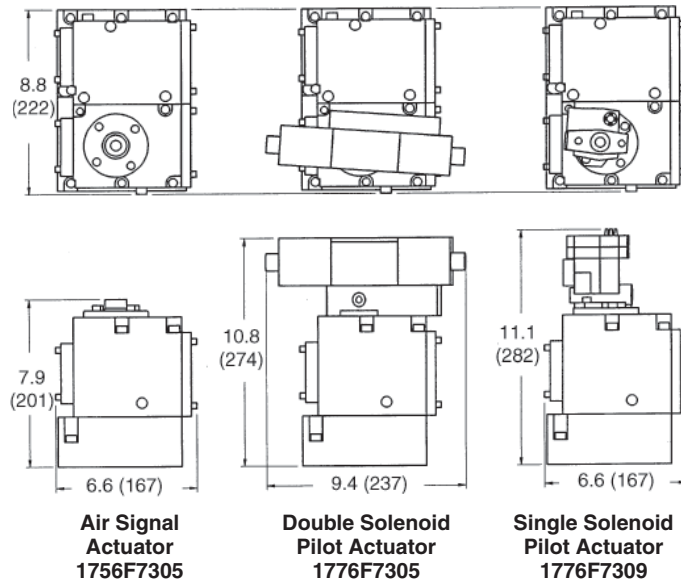
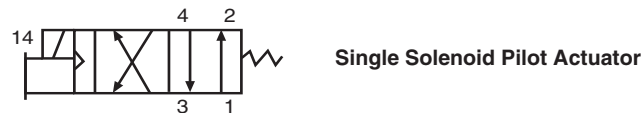
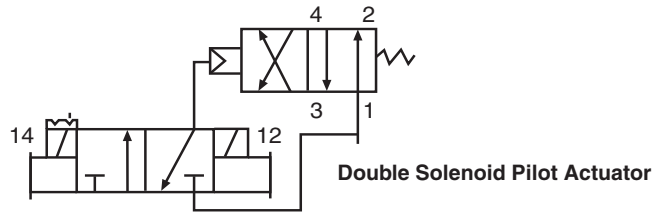
Dimensions inches (mm)



## 4/2 Valves - Midsized



## 4/2 Valves - Large



# Skyline Replacement Models for Discontinued Valves

DISCONTINUED	REPLACEMENT	DISCONTINUED	REPLACEMENT	DISCONTINUED	REPLACEMENT
1756*2004-----	1756F3304	1776*3010-----	1776F3307	1776*5008-----	1776F5307
1756*3004-----	1756F3304	1776*3011-----	1776F3311	1776*5009-----	1776F5307
1756*4004-----	1756F5304	1776*3012-----	1776F3311	1776*5010-----	1776F5307
1756*4005-----	1756F5304	1776*3027-----	1776F3307	1776*5011-----	1776F5311
1756*4006-----	1756F5304	1776*3028-----	1776F3307	1776*5012-----	1776F5311
1756*5004-----	1756F5304	1776*3044-----	1776F3307	1776*5027-----	1776F5307
1756*5005-----	1756F5304	1776*3045-----	1776F3307	1776*5028-----	1776F5307
1756*5006-----	1756F5304	1776*3048-----	1776F3311	1776*5044-----	1776F5307
1756*5304-----	1756F5304	1776*3049-----	1776F3311	1776*5045-----	1776F5307
1756*6005-----	1756F7305	1776*3311-----	1776F3311	1776*5048-----	1776F5311
1756*7005-----	1756F7305	1776*3327-----	1776F3307	1776*5049-----	1776F5311
1756*7305-----	1756F7305	1776*4001-----	1776F5307	1776*5311-----	1776F5311
1773*4007-----	1773F5307	1776*4005-----	1776F5307	1776*5327-----	1776F5307
1773*4307-----	1773F5307	1776*4006-----	1776F5307	1776*6001-----	1776F7309
1773*4027-----	1773F5307	1776*4007-----	1776F5307	1776*6003-----	1776F7309
1776*2001-----	1776F3307	1776*4008-----	1776F5307	1776*6004-----	1776F7309
1776*2002-----	1776F3307	1776*4009-----	1776F5307	1776*6005-----	1776F7305
1776*2003-----	1776F3307	1776*4010-----	1776F5307	1776*6009-----	1776F7309
1776*2007-----	1776F3307	1776*4011-----	1776F5311	1776*6044-----	1776F7309
1776*2008-----	1776F3307	1776*4012-----	1776F5311	1776*6048-----	1776F7305
1776*2009-----	1776F3307	1776*4027-----	1776F5307	1776*6103-----	1776F5311
1776*2010-----	1776F3307	1776*4028-----	1776F5307	1776*6108-----	1776F5311
1776*2011-----	1776F3311	1776*4044-----	1776F5307	1776*6566-----	1776F5307
1776*2012-----	1776F3311	1776*4045-----	1776F5307	1776*6567-----	1776F5311
1776*2027-----	1776F3307	1776*4048-----	1776F5311	1776*7001-----	1776F7309
1776*2028-----	1776F3307	1776*4049-----	1776F5311	1776*7002-----	1776F7309
1776*2044-----	1776F3307	1776*4103-----	1776F3311	1776*7003-----	1776F7309
1776*2045-----	1776F3307	1776*4108-----	1776F3311	1776*7004-----	1776F7309
1776*2048-----	1776F3311	1776*4533-----	1776F3307	1776*7005-----	1776F7305
1776*2049-----	1776F3311	1776*4535-----	1776F3311	1776*7009-----	1776F7309
1776*3001-----	1776F3307	1776*4566-----	1776F3307	1776*7044-----	1776F7309
1776*3003-----	1776F3307	1776*4567-----	1776F3311	1776*7048-----	1776F7305
1776*3004-----	1776F3307	1776*5002-----	1776F5307	1776*7305-----	1776F7305
1776*3007-----	1776F3307	1776*5003-----	1776F5307	1776*7309-----	1776F7309
1776*3008-----	1776F3307	1776*5006-----	1776F5307		
1776*3009-----	1776F3307	1776*5007-----	1776F5307		

\* denotes ALL modification letters

**NOTE: Series 1700 Skyline Replacement Valves are available in "D" models (i.e. D1776F7309) with metric mounting bolts. Skyline Replacement Valves are made-to-order valves, and will take longer than made-to-stock items to ship. Additional information available upon request. SKYLINE BASES AND MANIFOLDS ARE NOT AVAILABLE.**

## There are ROSS Distributors Throughout the World

To meet your requirements across the globe, ROSS distributors are located throughout the world. Through ROSS or its distributors, guidance is available for the selection of ROSS products, both for those using pneumatic components for the first time and those designing complex pneumatic systems.

This catalog presents an overview of the extensive ROSS product line. Other literature is available for engineering, maintenance, and service requirements. If you need products or specifications not shown here, please contact ROSS or your ROSS distributor. They will be happy to assist you in selecting the best product for your application.



**ROSS CONTROLS®**  
U.S.A.  
Customer Svs. 1-800-GET-ROSS  
Technical Svs. 1-888-TEK-ROSS  
[www.rosscontrols.com](http://www.rosscontrols.com)

**WARRANTY and CAUTIONS**  
Standard ROSS warranty and cautions apply, available upon request or at  
[www.rosscontrols.com](http://www.rosscontrols.com)

<b>ROSS EUROPA GmbH</b> Germany Fax: 49-6103-74694 <a href="mailto:info@rosseuropa.com">info@rosseuropa.com</a>	<b>ROSS ASIA® K.K.</b> Japan Fax: 81-427-78-7256 <a href="mailto:custsvc@rossasia.co.jp">custsvc@rossasia.co.jp</a>	<b>ROSS UK Ltd.</b> United Kingdom Fax: 44-121-559-5309 <a href="mailto:sales@rossuk.co.uk">sales@rossuk.co.uk</a>	<b>ROSS CONTROLS® INDIA Pvt. Ltd.</b> India Fax: 91-44-2625-8730 <a href="mailto:rossindia@airtelbroadband.in">rossindia@airtelbroadband.in</a>	<b>ROSS SOUTH AMERICA Ltda.</b> Brazil Fax: 55-11-4335-3888 <a href="mailto:vendas@ross-sulamerica.com.br">vendas@ross-sulamerica.com.br</a>	<b>DIMAFLUID s.a.s.</b> France Fax: 33-01-4945-6530 <a href="mailto:dimafluid@dimafluid.com">dimafluid@dimafluid.com</a>	<b>ROSS CONTROLS (CHINA) Ltd.</b> China Fax: 86-21-6915-7960 <a href="mailto:alvinzhurong@vip.163.com">alvinzhurong@vip.163.com</a>
--	--	---	--	---	---	--